


Interchangeable  
to the AEG pullcord switch  
type NSR

# Pullcord Switch LHPEw-10/x-B

**DUK**  
DITTELBACH UND KERZLER

**Westweigh**



- Up to 2 x 50 metre pull cord
- Up to 4 NC contacts + 4 NO
- Snap action contacts, direct opening
- Impact resistant fibre glass reinforced polyester enclosure or cast iron enclosure
- 2 cable ducts M25
- IP 67
-  protected version

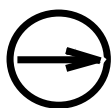
These pullcord switches are designed for heavy duty, maintenance free service. The housings are made from high stability, impact resistant, thick-walled glass fibre-reinforced polyester (type LHP...) or grey cast iron (type LHM...). Both types offer IP67 protection (water- and dust proof).

Pullcord switches of this type are for double-sided rope mounting with a rope length of max 2 x 50 metres. Pulling on one of these ropes actuates all contacts via a snap action mechanism irrespective of the direction of actuation. Simultaneously with the actuation of the switch the unit will latch in the Alarm position. Pulling direction is indicated by the position of the latched switch lever. The direct opening system of the contacts forces the NC-contacts into open position under all conditions.

These switches can be supplied with up to 4 NC contacts plus 4 NO. The contact surfaces are made of silver or are gold plated. For low voltage / small current operation the gold contacts are recommended. The contacts, both gold and silver, are specially designed to insure a self cleaning action in operation.

The pullcord travel (33mm, longitudinally drawn) and the rope tension necessary for switching, have been designed to prevent unwanted stops caused by solids falling onto the pullcord.

To ensure a long and, reliable working life careful attention has been paid to important details like sealing rings protecting the shafts, an extra hard rubber lid gasket, shafts made of stainless steel, screws made of stainless steel, loss-protected housing cover screws etc.....



## Options

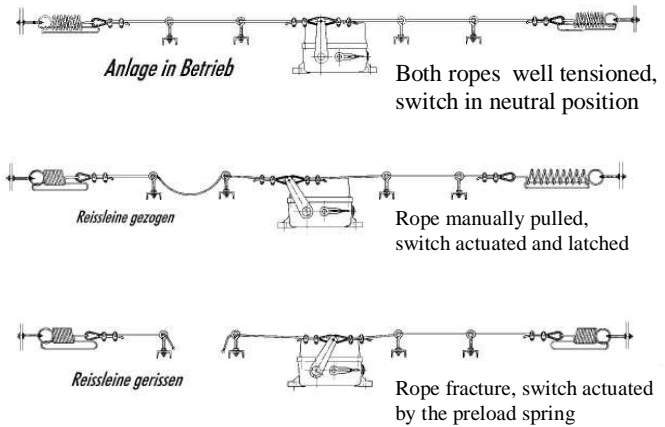
- Signalling lamp
- Explosion protected version with European approval

**WestWeigh Controls Limited** - Hollies Avenue – West Byfleet – Surrey – KT14 6AN  
Tel.: +44 (0) 1932 344 443 Fax: +44 (0) 1932 344 775 e-mail: sales@westweigh.com

# Pullcord Switch LHPEw-10/x-B



The demands of the European standards EN 60947-5 and EN 418 for automatic emergency stop command due to rope break are fulfilled when used with preload springs SPF-W



## Selection table

Switch type	Contacts		Remarks
	NC	NO	
<b>Fibre glass reinforced plastic housing</b>			
LHPEw-10/1-B	1	1	Silver contacts
LHPEw-10/2-B	2	2	Silver contacts
LHPw-10/3-B	3	3	Silver contacts
LHPw-10/4-B	4	4	Silver contacts
LHPEw-13/1-B	1	1	Gold contacts
LHPEw-13/2-B	2	2	Gold contacts
LHPw-13/3-B	3	3	Gold contacts
LHPw-13/4-B	4	4	Gold contacts

## Grey cast iron housing

LHMEw-10/1-B	1	1	Silver contacts
LHMEw-10/2-B	2	2	Silver contacts
LHMw-10/3-B	3	3	Silver contacts
LHMw-10/4-B	4	4	Silver contacts
LHMEw-13/1-B	1	1	Gold contacts
LHMEw-13/2-B	2	2	Gold contacts
LHMw-13/3-B	3	3	Gold contacts
LHMw-13/4-B	4	4	Gold contacts

## Technical Data

Conforms to standards EN 60 947 / EN 60204 / EN 60529

**Rope travel** 33 mm

**Rope force** > 35 N

**Cable entry** 2 x M25 threaded holes

**Protection** IP 67

**Contacts** Up to 4 NC plus 4 NO, independent on the direction of actuation

**Contact rating** Silver: max 400 VAC 6 A / 230 VAC 8 A  
24 VDC 10 A / 80 VDC 3 A  
Gold: minimum 1mA @ 6VDC

**Utilization category** Silver: AC-15 230V 1A, DC-13 110V 0,5A  
Gold: AC-12 230V 250mA, DC-12 110V 250mA

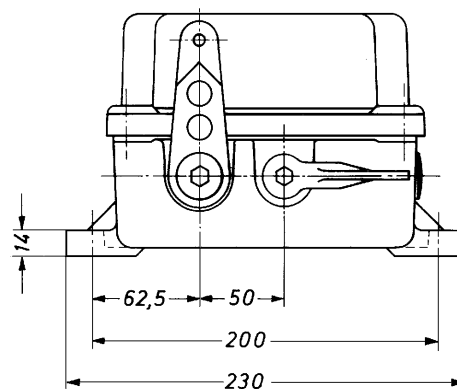
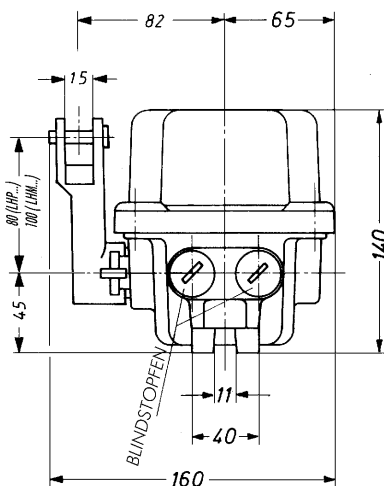
**Housing material** Fibre glass reinforced polyester (LHP...) grey cast iron (LHM...)

**Housing colour** yellow RAL 1003 or red RAL 3000

**Weight** 2.0 kg (LHP...),  
5.6 kg (LHM...)

**Fixing** 2 holes for M10-screws

**Operating temperature** -40°C up to +85°C



## Numbering scheme of contacts

e.g. pullcord switch with 2NO plus 2NC

